

TA102 Series

Dual Output, Temperature/Acceleration, Top Exit Connector/Cable, 100 mV/g, 10 mV/°C

SECTION I - VIBRATION SENSORS
Dual Output Accelerometers



Actual Product Size Shown

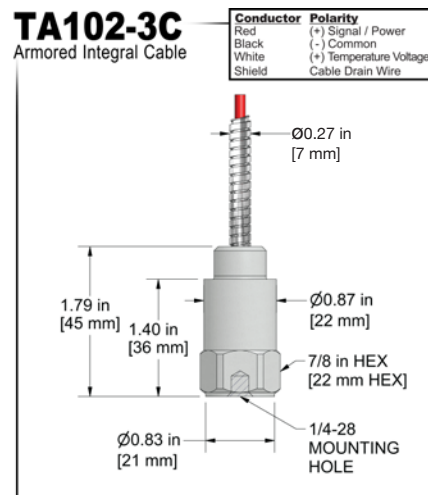
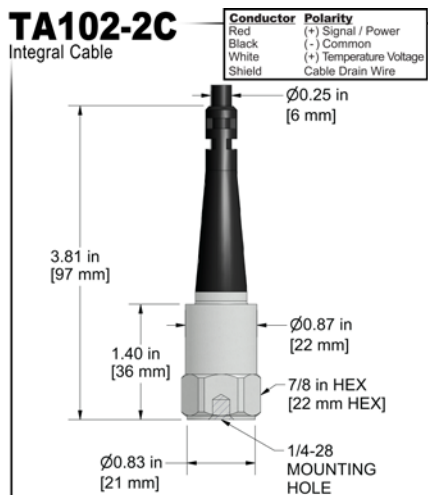
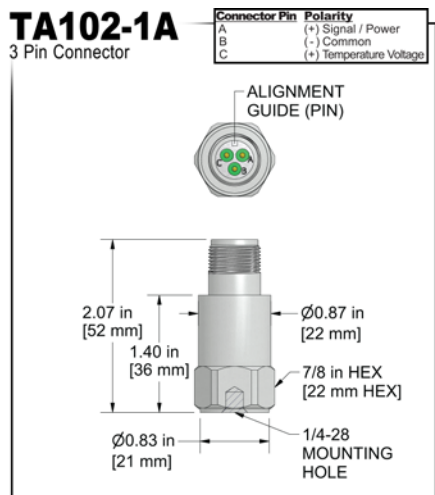


Requires **Multi-Conductor Cable**

Product Features

Temperature Output 10 mV/°C
High Performance in a Low Cost Sensor

- Standard 3 Pin MIL Connection
- Temperature and Acceleration in One Sensor
- Affordably Priced



Specifications	Standard	Metric
Part Number	TA102	M/TA102
Sensitivity (±10%)	100 mV/g	
Frequency Response (±3dB)	30-900,000 CPM	0.5-15000 Hz
Frequency Response (±10%)	120-720,000 CPM	2.0-12000 Hz
Dynamic Range	± 80 g, peak	
Temperature Measurement Range	37° to 250° F	3° to 121° C
Temperature Output	10 mV/°C	
Electrical		
Settling Time	<2.5 seconds	
Voltage Source (IEPE)	18-30 VDC	
Constant Current Excitation	2-10 mA	
Spectral Noise @ 10 Hz	8 µg/√Hz	
Spectral Noise @ 100 Hz	0.82 µg/√Hz	
Spectral Noise @ 1000 Hz	0.3 µg/√Hz	
Output Impedance	<100 ohm	
Bias Output Voltage	10-14 VDC	
Case Isolation	>10 ⁹ ohm	

Specifications	Standard	Metric
Environmental		
Temperature Range	-40 to 250°F	-40 to 121°C
Maximum Shock Protection	5,000 g, peak	
Electromagnetic Sensitivity	CE	
Sealing	IP68	
Submersible Depth (TA102-2C/3C)	200 ft.	60 m
Physical		
Sensing Element	PZT Ceramic	
Sensing Structure	Shear Mode	
Weight	3.2 oz	90 grams
Case Material	316L Stainless Steel	
Mounting	1/4-28	
Connector (non-integral)	3 Pin MIL-C-5015	
Resonant Frequency	1,380,000 CPM	23000 Hz
Mounting Torque	2 to 5 ft. lbs.	2.7 to 6.8 Nm
Mounting Hardware	1/4-28 Stud	M6x1 Adapter Stud
Calibration Certificate	CA10	

Ordering Information

Standard	TA102-1A (1/4-28 Stud)	TA102-2C - / (1/4-28 Stud)	TA102-3C - / (1/4-28 Stud)
	(length in feet) (termination)	(length in feet) (termination)	(maximum armor length 100 ft.) (cable length in feet) (termination)
Metric	M/TA102-1A (M6x1 Adapter Stud)	M/TA102-2C - / (M6x1 Adapter Stud)	M/TA102-3C - / (M6x1 Adapter Stud)
	(length in feet) (termination)	(length in meters) (termination)	(maximum armor length 30 m) (cable length in meters) (termination)

Cable Termination Options: L Z

Backed by our Unconditional Lifetime Warranty

www.ctconline.com

