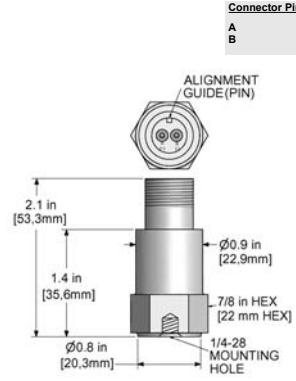


AC107 Series

High Temperature Accelerometer, Top Exit Connector / Cable, 100 mV/g

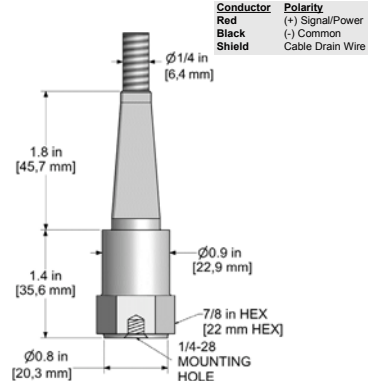


AC107-1A 2 Pin Connector



Connector Pin	Polarity
A	(+) Signal/Power
B	(-) Common

AC107-5A Armored Integral Cable



Conductor	Polarity
Red	(+) Signal/Power
Black	(-) Common
Shield	Cable Drain Wire

Part Numbers & Ordering Information:

When Ordering Metric, add "M" prefix.
(Example: M/AC107-5A/010-Z)

AC107-1A High temperature accelerometer, 100 mV/g, 2 pin top connector

AC107-5A/010-Z	10 ft. (3 m), blunt cut end
AC107-5A/020-Z	20 ft. (6 m), blunt cut end
AC107-5A/030-Z	30 ft. (9 m), blunt cut end
AC107-5A/050-Z	50 ft. (15 m), blunt cut end
AC107-5A/100-Z	100 ft. (30 m), blunt cut end
AC107-5A/010-F	10 ft. (3 m), BNC plug connector
AC107-5A/020-F	20 ft. (6 m), BNC plug connector
AC107-5A/030-F	30 ft. (9 m), BNC plug connector
AC107-5A/050-F	50 ft. (15 m), BNC plug connector
AC107-5A/100-F	100 ft. (30 m), BNC plug connector

* Custom Lengths Available Upon Request

Performance Specifications	English	Metric
Sensitivity ±10%	100 mV/g	100 mV/g
Frequency Response		
±3 dB	60-600,000 CPM	1,0-10000 Hz
±10%	120-360,000 CPM	2,0-6000 Hz
Dynamic Range	±50 g, peak	±50 g, peak
Electrical		
Settling Time (Turn on Time) @ Room Temp (68°F/20°C)	<2.5 Seconds	<2,5 Seconds
Power Requirement		
Voltage Source	18-30 VDC	18-30 VDC
Constant Current Excitation	2-10 mA	2-10 mA
Electrical Noise (Typical)		
Broadband 2.5 Hz to 25 kHz	200 σg, rms	200 σg, rms
Spectral 10 Hz	14 σg/√Hz	14 σg/√Hz
100 Hz	2 σg/√Hz	2 σg/√Hz
1000 Hz	1.4 σg/√Hz	1,4 σg/√Hz
Output Impedance, Max	<100 ohm	<100 ohm
Bias Output Voltage	10-14 VDC	10-14 VDC
Electrical Case Isolation	>10 ⁸ ohm	>10 ⁸ ohm

Environmental	English	Metric
Temperature Range	-58 to 302° F	-50 to 150° C
Maximum Shock Protection	5,000 g, peak	5000 g, peak
Electromagnetic Sensitivity	CE	CE
Sealing	Welded, Hermetic	Welded, Hermetic
Physical		
Sensing Element	PZT Ceramic	PZT Ceramic
Sensing Structure	Shear Mode	Shear Mode
Weight	3.2 oz.	90 grams
Case Material	316L Stainless Steel	316L Stainless Steel
Mounting Hole	1/4-28	1/4-28
Connector (AC107-1A)	2 Pin MIL-C-5015	2 Pin MIL-C-5015
Armored Cable (AC107-5A)	CB206, Armor Jacket	CB206, Armor Jacket
Mechanical		
Resonant Frequency	1,380,000 CPM	23000 Hz
Mounting Torque	2 to 5 ft. lbs.	2,7 to 6,8 Nm
Supplied Accessories		
Mounting Hardware	1/4-28 Stud	M6x1 Adapter Stud
Calibration Certificate	CA10	CA10

Common Applications

Industries Served

- Automotive
- Pharmaceutical
- Wastewater Treatment
- Manufacturing
- Power
- Military
- Pulp and Paper
- Mining
- Steel

Typical Applications

- Air Compressors
- Cooling Towers
- Gear Boxes
- Pumps
- Turbines <302° F (150° C)
- Air Handlers
- Dryer Sections <302° F (150° C)
- Motors
- Pumps, Underwater
- Compressors
- Fans
- Press Sections
- Roll and Process Equipment
- Conveyors
- Fourdriners
- Presses and Stamping
- Spindles

Measurement Types

- Permanent Mount

For optional accessories, please see the *Sensor Accessory Selection Chart*.



VIBRATION ANALYSIS HARDWARE