

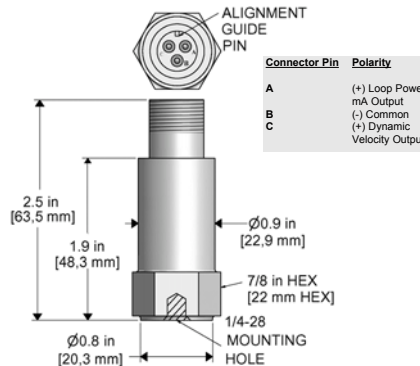
LP401 Series

Dual Output Sensor Loop Power 4-20 mA Velocity, Dynamic Velocity



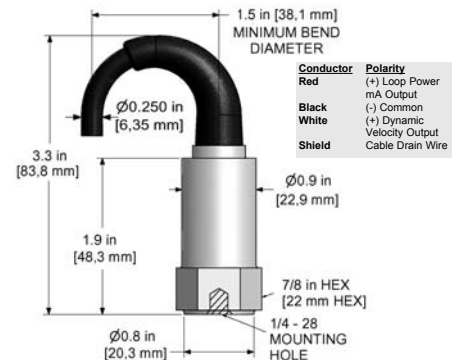
LP401-XXX-1A

3 Pin Connector



LP401-XXX-2A

Integral Cable



How To Order - Select the desired parameters using the selection guide below.

Example Part #: LP401-1R2-1A (Supplied with 1/4-28 Stud)

Example Metric Part #: M/LP401-1R2-1A (Supplied with M6x1 Adapter Stud)

Example Integral Cable Part #: LP401-1R2-2A/010-Z (Supplied with 1/4-28 Stud)

Selection Guide

Part #: / LP401 - - - A / - Z

Stud Type ← Measurement Range ← Range Type ← Frequency Range +/-3dB ← Style ← Cable Length ←

M = Metric (Blank for 1/4-28)	0 = 0-0.5 IPS (0-12.7 mm/sec) 1 = 0-1 IPS (0-25.4 mm/sec) 2 = 0-2 IPS (0-50.8 mm/sec) 3 = 0-10 mm/sec (0-0.4 IPS) 4 = 0-20 mm/sec (0-0.8 IPS)	R = RMS P = Peak	1 = 600-60,000 CPM (10-1000 Hz) 2 = 180-150,000CPM (3-2500 Hz)	1 = 3 Pin MIL (C-5015) 2 = Integral Cable, CB105	010 = 10 ft. (3 m) 020 = 20 ft. (6 m) 030 = 30 ft. (9 m) 050 = 050 ft. (15 m) 100 = 100 ft. (30 m) <i>* Custom Lengths Available Upon Request</i>
----------------------------------	---	---------------------	---	---	--

For Integral Cable Sensors Add this Section / Select Length

Performance Specifications	English	Metric	Physical	English	Metric
Output, 4-20 mA			Sensing Element	PZT Ceramic	PZT Ceramic
Measurement Range	See Selection Guide	See Selection Guide	Sensing Structure	Shear Mode	Shear Mode
Dynamic Output, Velocity			Weight (without cable)	3.7 oz.	105 grams
Sensitivity ±10%	100 mV/in/sec	4 mV/mm/sec	Case Material	316L Stainless Steel	316L Stainless Steel
Frequency Response ±3dB	120-600,000 CPM	2,0-10000 Hz	Mounting Hole	1/4-28	1/4-28
Electrical			Connector (LP401-XXX-1A)	3 Pin MIL-C-5015	3 Pin MIL-C-5015
Settling Time (Turn on Time) @ Room Temp (68°F/20°C)	<60 Seconds	<60 Seconds	Integral Cable (LP401-XXX-2A)	CB105	CB105
Power Requirement (Loop Powered) Voltage Source	18-28 VDC	18-28 VDC	Mechanical		
Electrical Case Isolation	>10 ⁸ ohm	>10 ⁸ ohm	Mounting Torque	2 to 5 ft. lbs.	2,7 to 6,8 Nm
Environmental			Supplied Accessories		
Temperature Range	-40 to 185° F	-40 to 85° C	Mounting Hardware	1/4-28 Stud	M6x1 Adapter Stud
Electromagnetic Sensitivity	CE	CE	Calibration Certificate	CA10	CA10
Sealing	Welded, Hermetic	Welded, Hermetic			
Submersible Depth (LP401-XXX-2A)	500 ft.	152 m			

For optional accessories, please see the *Sensor Accessory Selection Chart*.



VIBRATION ANALYSIS HARDWARE