

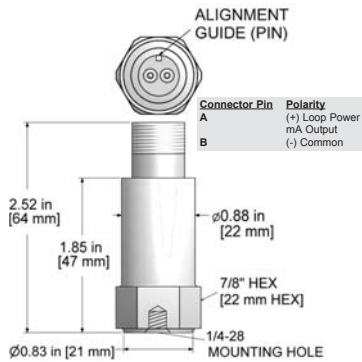
LP802 SERIES

INTRINSICALLY SAFE LOOP POWER SENSOR, VELOCITY,
4-20 mA, TOP EXIT CONNECTOR / CABLE



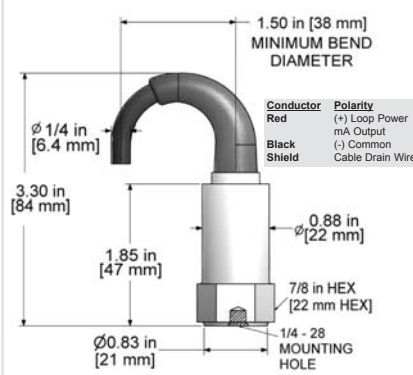
LP802-XXX-1B

2 Pin Connector



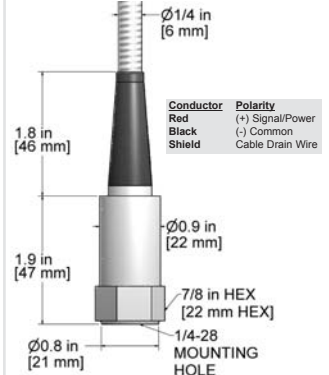
LP802-XXX-2B

Integral Cable



LP802-XXX-3B

Armored Integral Cable



LP802 Series Selection Guide



Stud Type	Measurement Range	Range Type	Frequency Range +/- 3dB	Style	Cable Length (Integral Cables)
M = M6x1 <i>(Blank for 1/4-28)</i>	0 = 0-0.5 IPS (0-12.7 mm/sec) 1 = 0-1 IPS (0-25.4 mm/sec) 2 = 0-2 IPS (0-50.8 mm/sec) 3 = 0-10 mm/sec (0-0.4 IPS) 4 = 0-20 mm/sec (0-0.8 IPS)	R = RMS P = Peak	1 = 600-60,000 CPM (10-1000 Hz) 2 = 180-150,000 CPM (3-2500 Hz)	1 = 2 Pin MIL (C-5015) 2 = Integral Cable, CB103 3 = Armor Jacket, CB206	010 = 10 ft. (3 meters) 020 = 20 ft. (6 meters) 030 = 30 ft. (9 meters) 050 = 050 ft. (15 meters) 100 = 100 ft. (30 meters) <i>* Custom lengths available upon request</i>

Example Part #: LP802-1P1-1B (Supplied with 1/4-28 Stud)
Example Metric Part #: M/LP802-1P1-1B (Supplied with M6x1 Adapter Stud)
Example Integral Cable Part #: LP802-1P1-2B/010-Z (Supplied with 1/4-28 Stud)

Performance Specifications	English	Metric	Physical	English	Metric
Output, 4-20 mA			Sensing Element	PZT Ceramic	PZT Ceramic
Measurement Range	See Selection Guide	See Selection Guide	Sensing Structure	Shear Mode	Shear Mode
Electrical			Weight (without cable)	3.7 oz.	105 grams
Settling Time (Turn on Time)			Case Material	316L Stainless Steel	316L Stainless Steel
@ Room Temp (68°F/20°C)	<60 Seconds	<60 Seconds	Mounting Hole	1/4-28	1/4-28
Power Requirement (Loop Powered)			Connector (LP802-1B-XXX)	2 Pin MIL-C-5015	2 Pin MIL-C-5015
Voltage Source	12-28 VDC	12-28 VDC	Integral Cable (LP802-2B-XXX)	CB103	CB103
Electrical Case Isolation	>10 ⁸ ohm	>10 ⁸ ohm	Armored Cable (LP802-3B-XXX)	CB206, Armor Jacket	CB206, Armor Jacket
Environmental			Mechanical		
Temperature Range	-40 to 175° F	-40 to 80° C	Mounting Torque	2 to 5 ft. lbs.	2,7 to 6,8 Nm
Electromagnetic Sensitivity	CE	CE	Supplied Accessories		
Sealing	Welded, Hermetic	Welded, Hermetic	Mounting Hardware	1/4-28 Stud	M6x1 Adapter Stud
Submersible Depth (LP802-XXX-2B)	200 ft.	61 m	Calibration Certificate	Current Output @ 100 Hz	Current Output @ 100 Hz

Regulatory Approvals

US & Canada: Division 1; Class I, Groups A, B, C, D; Class II, Groups E, F, G; Class III; T4
ATEX: Ex II 1 G, Zone 0, EEx ia IIC T4

Proper IS Barrier must be used with this sensor to ensure compliance with the following entity parameters:

- Maximum voltage: 28 V
 - Maximum Power: 1 W
 - Total capacitance of circuit allowable: 70 nF
 - Maximum allowable current: 100 mA
 - Total inductance of circuit allowable: 51 µH
- IS111 or IS211 Series barriers are recommended. Please refer to the Intrinsic Safety Overview data sheets.



LIFETIME WARRANTY ON MATERIALS & WORKMANSHIP

PLEASE SEE WEBSITE FOR DETAILS